

**AERODROME
CHART-ICAO**

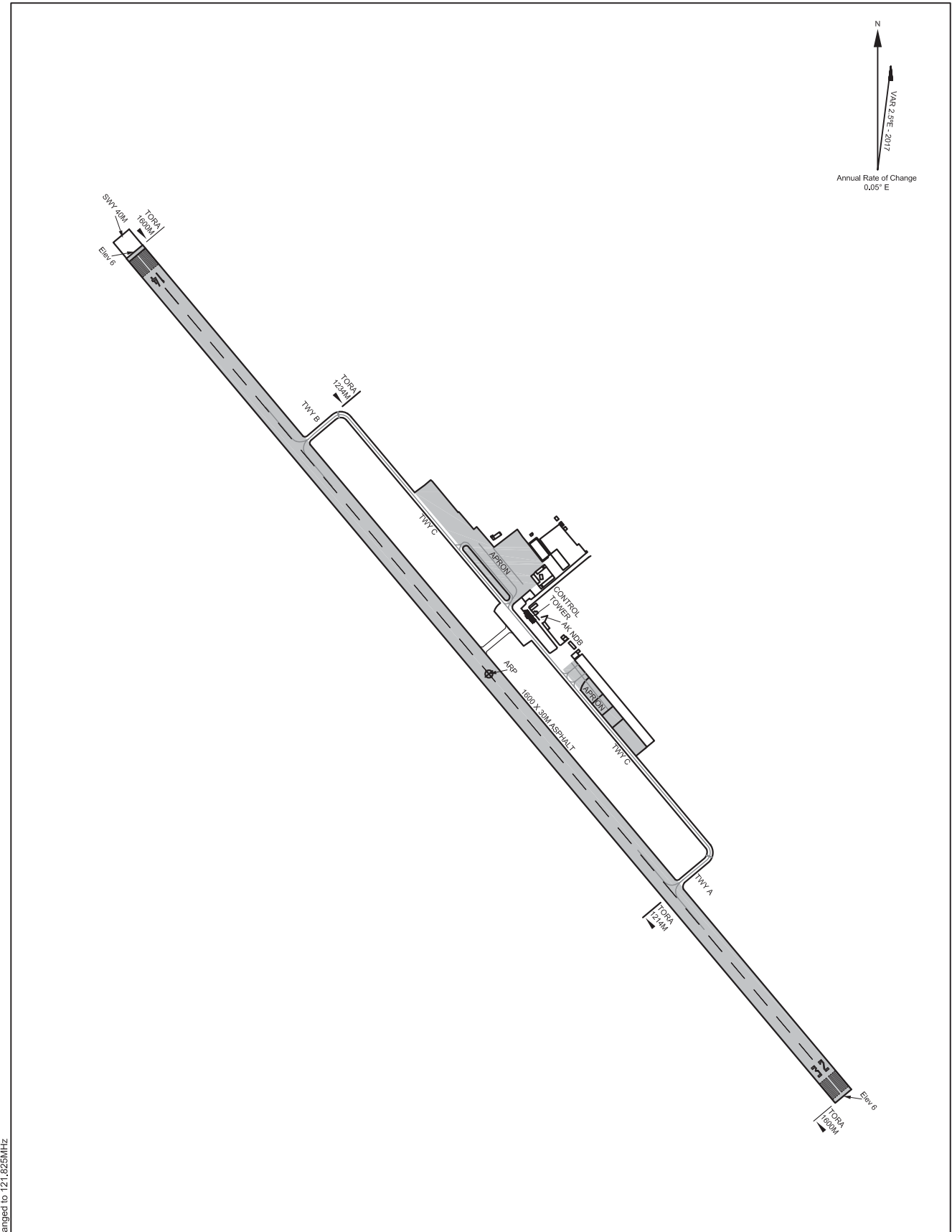
DISTANCES IN METERS,
ALTITUDES, ELEVATIONS
AND HEIGHTS IN FEET

ARP
253746.11N
0513023.56E

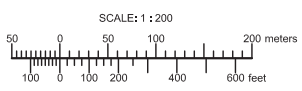
AD ELEV 6FT

TWR	120.45
GMC	121.825

**Alkhor / AL KHOR
OTBK**



Amendment: GMC frequency changed to 121.825MHz



<p>RWY 14/32 WIDTH - 30M SURFACE - ASPHALT STRENGTH - PCN 45/F/B/X/U</p>	<p>TAXIWAYS A,B&C WIDTH - 7.5M SURFACE - ASPHALT STRENGTH - PCN 45/F/B/X/U</p>
<p>APRONS SURFACE - ASPHALT STRENGTH - PCN 45/F/B/X/U</p>	<p>STOPWAY RWY32 LENGHT - 40M SURFACE - CONCRETE</p>